

Technical Circular 40-03

Trigger disc camshaft

Affected engines:

- | | |
|-----------------------------------------------------------------------|------------------------------------------------------|
| <input checked="" type="checkbox"/> MAG 33.3 X 31XA | <input checked="" type="checkbox"/> MAH 33.3 TI 311A |
| <input checked="" type="checkbox"/> MAG 49.4 X 21XA | <input checked="" type="checkbox"/> MAH 49.4 TI 211A |
| <input checked="" type="checkbox"/> MAG 74.6 X 21XA | <input checked="" type="checkbox"/> MAH 74.6 TI 211A |
| <input checked="" type="checkbox"/> MAG 84.6 X 21XA | <input checked="" type="checkbox"/> MAH 84.6 TI 211A |
| <input checked="" type="checkbox"/> customer-specific special engines | |

1. General

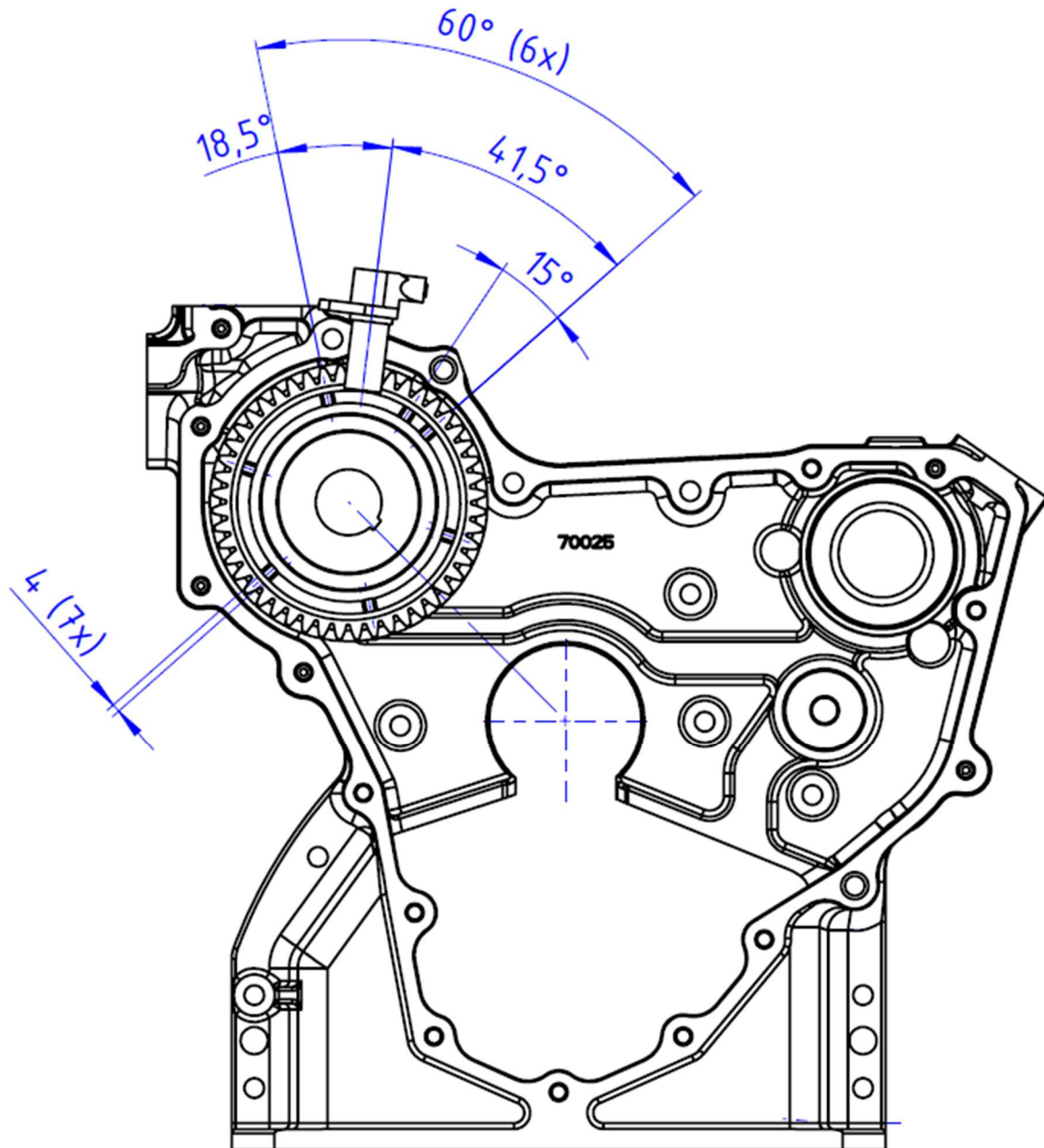
A spark ignition system is required to operate the MAMotec gas engines. This is not included in the basic scope of delivery of the gas engine.

For the operation of commercially available ignition systems for gas engines, a speed measurement of the camshaft or the crankshaft is usually required.

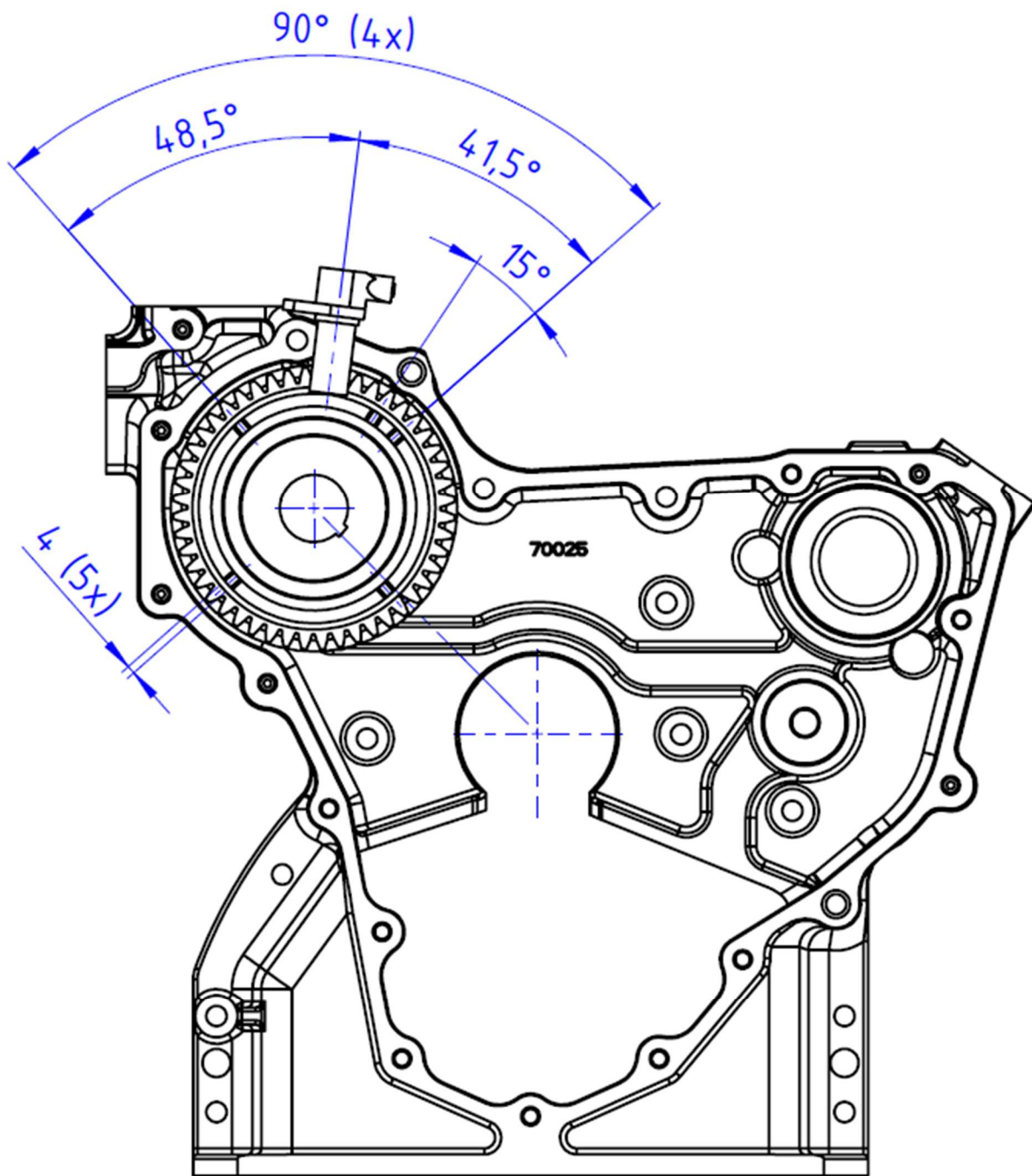
The camshaft trigger system for spark ignition systems described here is part of the MAMotec scope of supply. The operator has to check the compatibility with the ignition system supplier in advance.

The dimensions shown in the drawings refer to the TDC position of the engine.

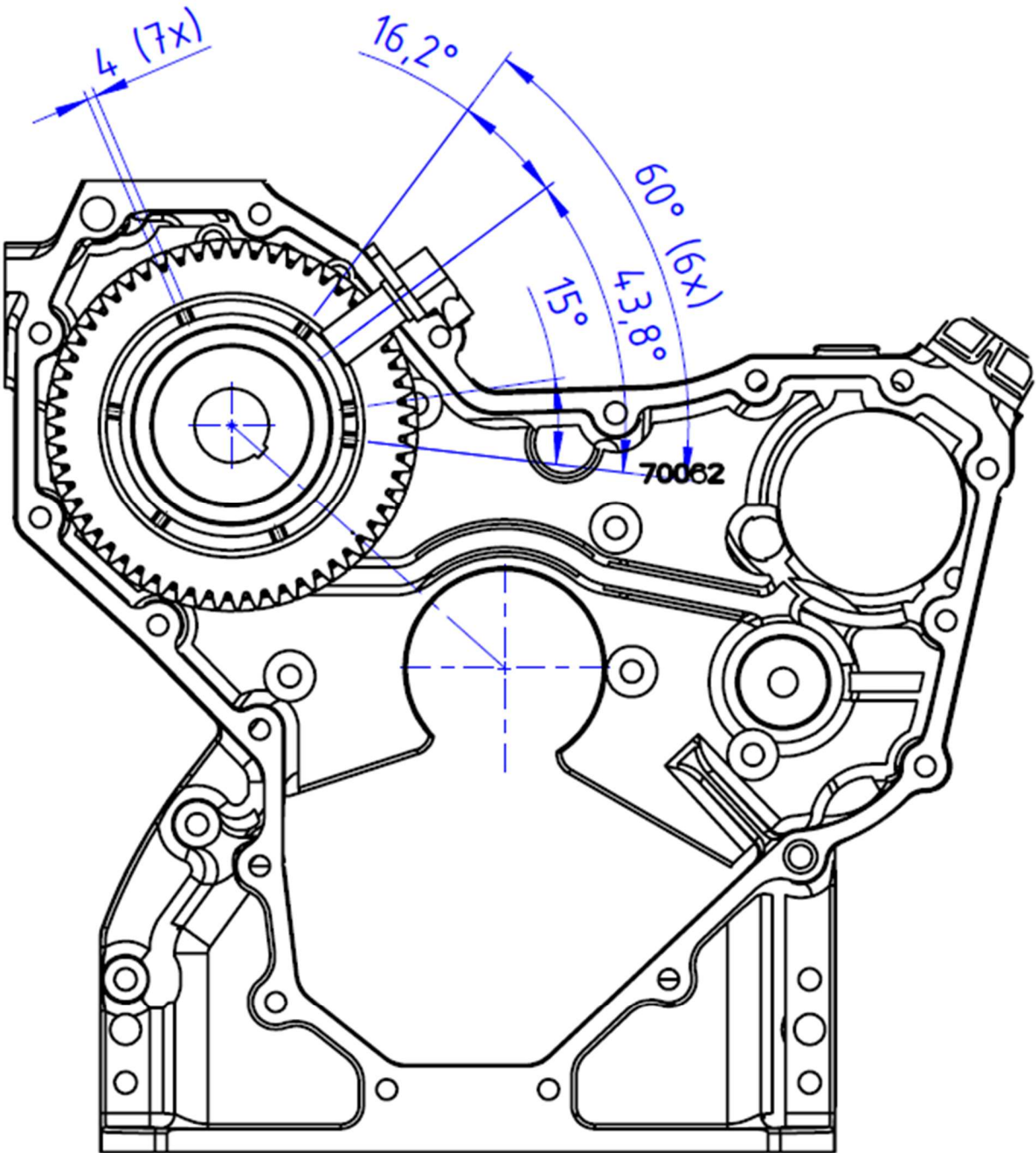
2. Illustration camshaft wheel



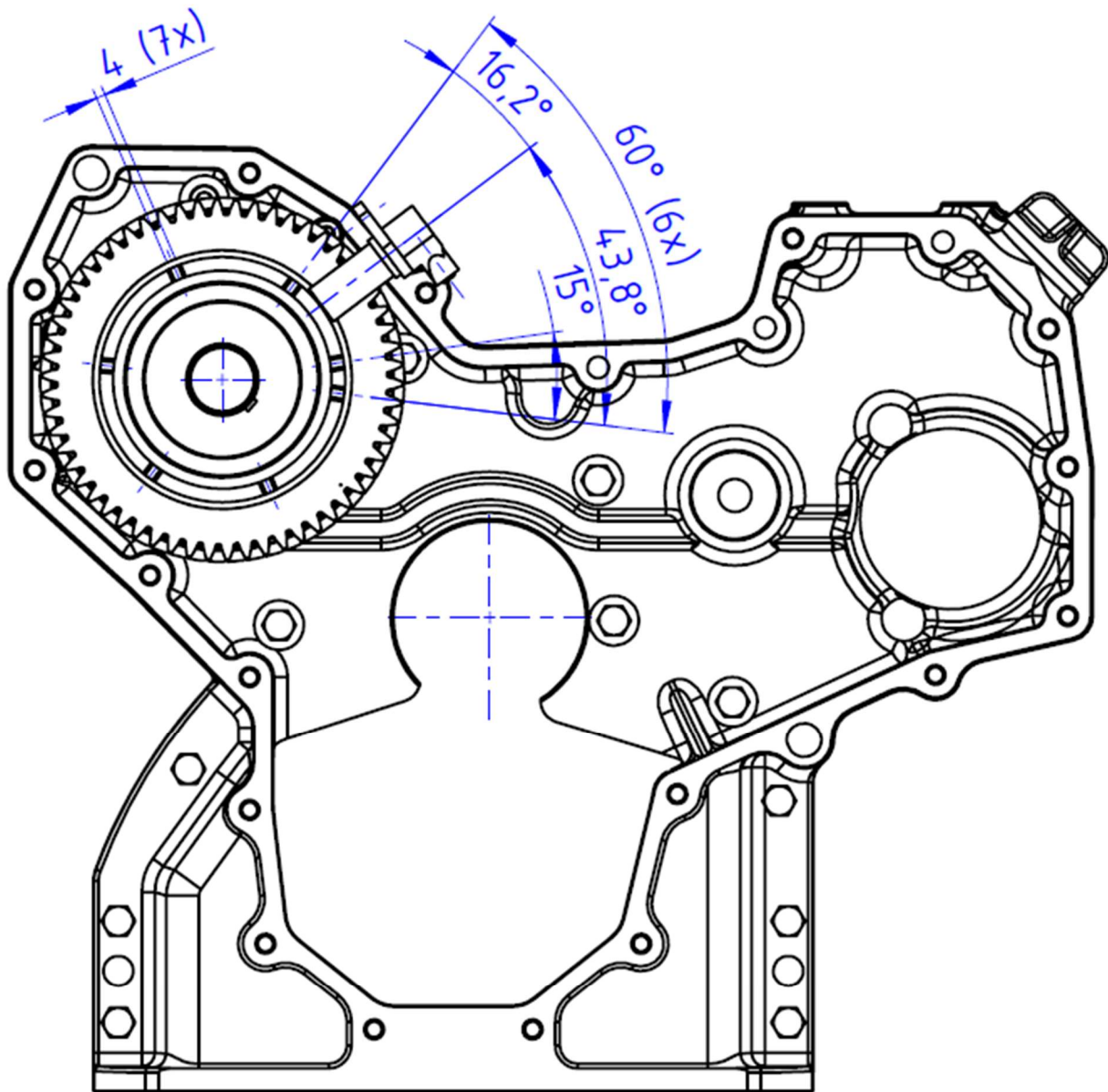
MAG33.3



MAG49.4



MAG74.6



MAG84.6

3. Release list ignition systems

The following ignition systems have been approved in advance by the ignition system manufacturer for operation with this trigger disc:

Manufacturer	Type
Altronic	
	Altronic CD 200 (791 070-6) Special wiring of the ignition outputs must be observed!
Heinzmann	
	Phlox II from Software V.34
	Phlox III all versions
Huegli Tech	
	HAT-LEF100/200 all versions
Motortech	
	MIC3+ all versions
Trijekt	
	Trijekt Gas all versions

This release list serves as an aid for the user. A legal claim to function does not arise from it towards MAMotec GmbH.

MAMotec GmbH reserves the right to make technical changes in the course of further product development.

Reprinting, duplication or translation, even in extracts, is not permitted without the written consent of MAMotec GmbH. MAMotec GmbH expressly reserves all rights in accordance with copyright law.

© 2023

MAMotec GmbH

Fritz-Minhardt-Str. 1

76456 Kuppenheim

E-Mail: info@MAMotec-online.de

Internet: www.mamotec-online.de